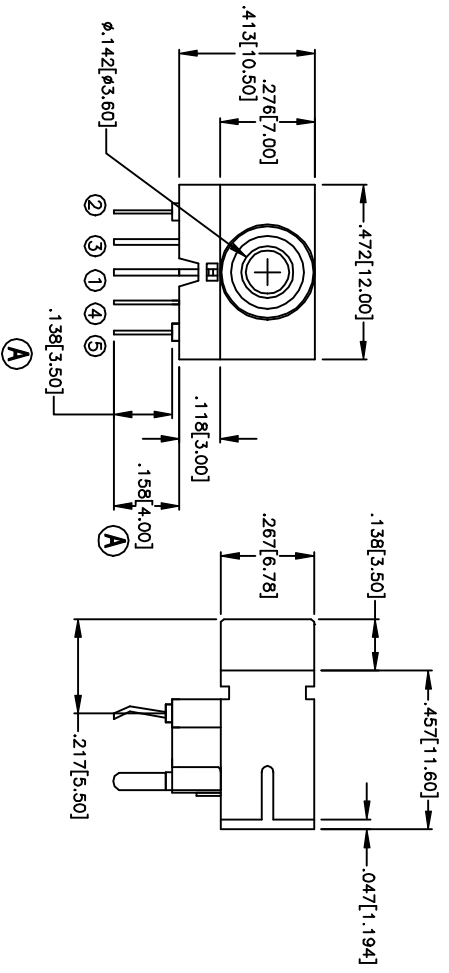


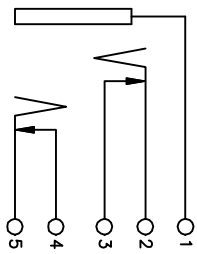
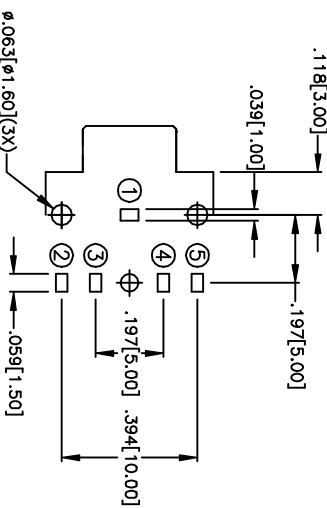
APPROVED: _____
 DATE: _____

PROPOSAL



Rev	Description	Date	Appr
-	Preliminary	08/11/99	ELD
A	Typo Error	08/13/99	JC
B	Added Insul. Color	08/17/99	

RECOMMENDED PCB LAYOUT (COMPONENT SIDE VIEW)



SCHEMATIC

SPECIFICATIONS:
MATERIAL: Insulator: Polybutylene Terephthalate (PBT), glass reinforced thermoplastic, rated UL 94V-0, Black (B)
 Contacts: Phosphor Bronze
PLATING: 50 μin Bright Tin Plate to MIL-P-81728.
ELECTRICAL: Operation Voltage: 250 VAC max
 Current rating: 1 Amp max
 Contact resistance: 20m Ω max
 Insulation resistance: 500 MΩ min @ 500 VDC between adjacent contacts (B)
 Dielectric withstanding voltage: 1000 VAC min rms
 Capacitance: 1.5 pF max between adjacent contacts
MECHANICAL: Insertion Force: 7-10 oz. (Typical)
 Withdrawal Force: 4-10 oz. (Typical)
ENVIRONMENTAL: Operating temperature: -65°C to +125°C

		DESCRIPTION: 3.5mm STEREO JACK, TYPE 6	
Dimension in IN [MM] Tolerance (Unless Otherwise Specified) .XX ± .01 .XXX ± .005		PART NUMBER: ASJ-6-5-NK	
Drawn: L.M.E.C. Appr: ELD	SCALE: NTS	SHEET 1 OF 1 SHEETS	LOG 7968 REF. REV. B
Date: 08/11/99	SCALE: NTS	SHEET 1 OF 1 SHEETS	LOG 7968 REF. REV. B