

Material And Finish

Shell: Steel, zinc plated or tin plated
 Insulator: PBT
 Thermoplastic
 Glass fiber 30%
 UL 94V-0
 color-black

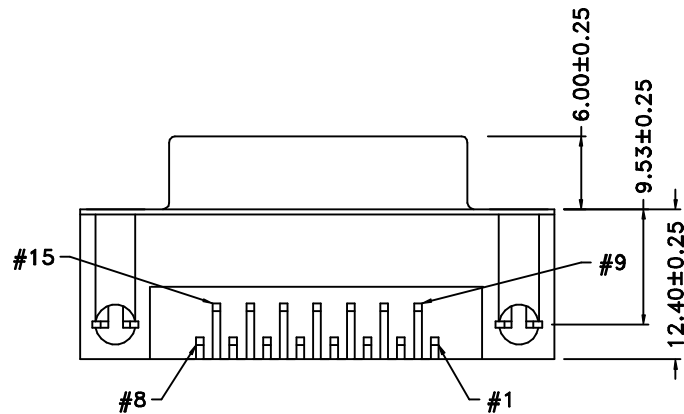
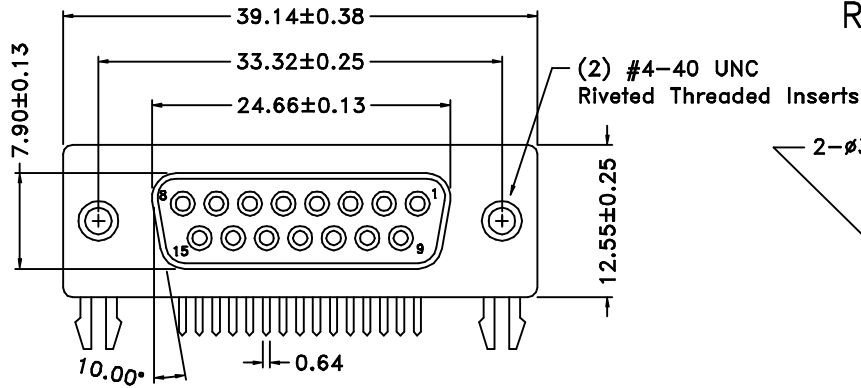
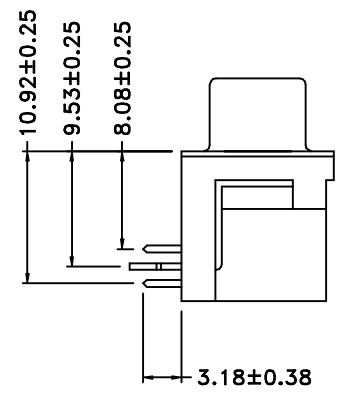
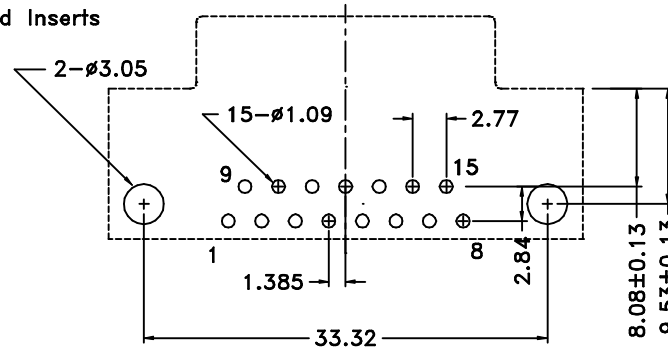
Contact Material:
 Copper Alloy

Contact Plating:
 Gold Flash over Nickel on entire contact
 Or
 Gold Flash over Nickel on mating end, with Tin/Lead over Nickel on termination end

Specifications

Rated Current:
 5A
 Rated Voltage:
 300V DC
 Dielectric Withstanding Voltage:
 1000V (rms) AC for 1 min
 Insulation Resistance:
 more than 1000 Mohm at 500v DC
 Durability: 500 cycles
 Contact Resistance:
 10 mohm Max Initial
 13 mohm Max after Durability
 Contact Retention:
 10 lbs Min.
 Contact Insertion Force:
 9 Oz. Max.
 Contact Extraction Force:
 4 Oz. Min.
 Temperature Rating:
 -55°C to +125°C

Recommended PCB Layout (Top View)



REVISION	DATE	DESCRIPTION	DRAWN BY	DESIGNED BY	UNITS
A1	4/13/99	New Drawing	J. KRING		mm
A2	6/17/99	Add to Specs	CHECKED BY	APPROVED BY	DATE
					4/13/99

K23-A15S-N

D-sub, Right Angle, Brass

0.318" Footprint, Boardlocks, Gold Flash

