

Surface
SMT
Mount

QUAD ROW TERMINAL TOLC SERIES

SPECIFICATIONS

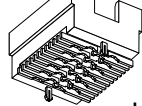
Materials:

Insulator Material: Black Liquid Crystal Polymer
Terminal Material: Phosphor Bronze
Current Rating: 2.5A @ 80°C ambient
Operating Temp Range: -65°C to +125°C
Plating: Au over 50µ" (1.27µm) Ni



Mates with:
SOLC

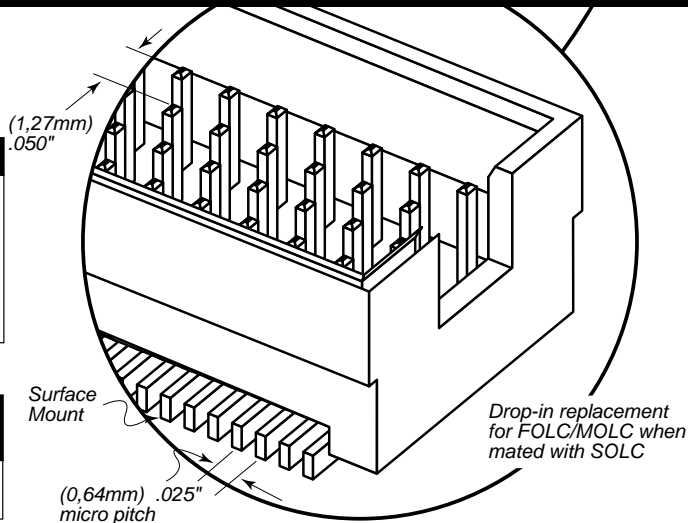
OPTIONS



-LC OPTION

APPLICATION SPECIFIC OPTION

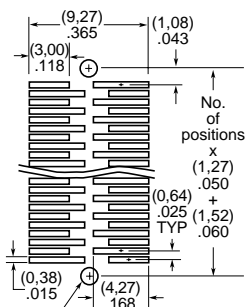
Alignment pins available.
Call Samtec.



Note:
Some sizes, styles and options are non-standard, non-returnable.

Processing:

Max Processing Temp: 230°C for 60 seconds
SMT Lead Coplanarity: (0,10mm) .004" max (20-30) (0,15mm) .006" max (35-50)
Suggested Paste Thickness: For most applications add (0,05mm) .002" to max SMT lead coplanarity
Suggested PCB Layouts: Your specific layout may vary

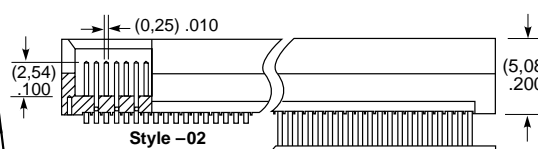
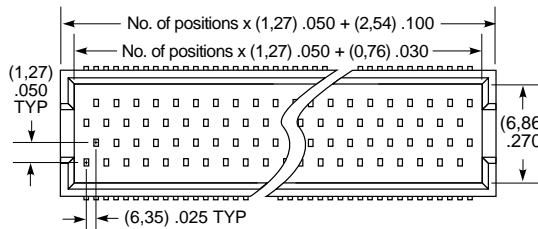


-LC Option = (1,19 -0,00 / +0,08) .047 +.003 DIA (2)
 -A Option = (1,35 -0,00 / +0,08) .053 +.000 DIA (2)

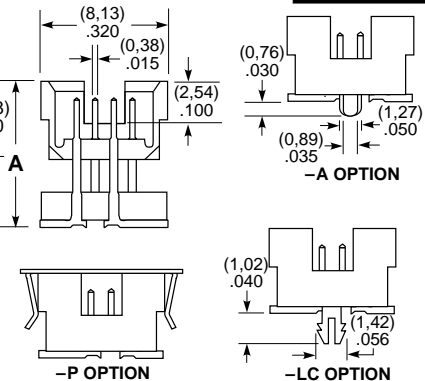
TAPE & REEL AVAILABILITY

No tooling charges.
125 piece minimum order.
Order any quantity above minimum.
In-house design, manufacture.
Quick turn-around.
Call Samtec for specifications and ordering information.

TOLC	1	NO. PINS PER ROW	LEAD STYLE	PLATING OPTION	Q	OPTION
		05, 10, 15, 20, 25, 30, 35, 40, 45, 50 (Call Samtec for other sizes)	Specify LEAD STYLE from chart	-S = 30µ" (0,76µm) Gold on post, Gold flash on tail -L = 10µ" (0,25µm) Gold on post, Gold flash on tail -F = Gold flash on post, Gold flash on tail	-A = Alignment Pin -LC = Locking Clip -P = Pick & Place Pad -TR = Tape & Reel	



LEAD STYLE	A	MATED HEIGHT
- 02	(5,59) .220	(6,35) .250
- 12	(7,24) .285	(8,00) .315
- 22	(9,25) .364	(10,00) .394
- 32	(11,23) .442	(12,00) .472



Due to technical progress, all designs, specifications and components are subject to change without notice.